

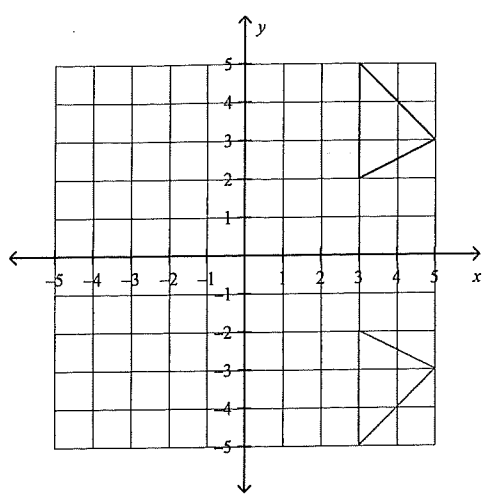
HW

Name: _____

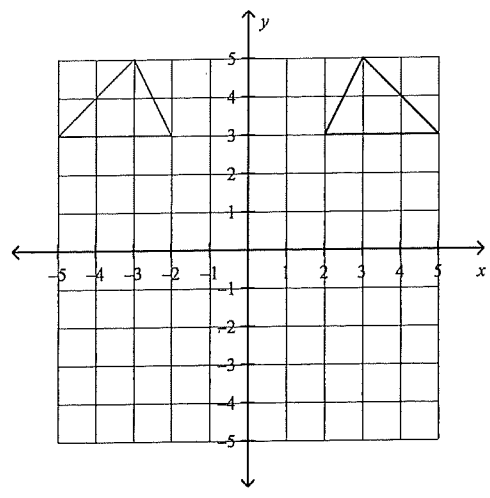
ID: A

17. Draw the image of a triangle with vertices $(2, 3)$, $(3, 5)$, and $(5, 3)$. Then perform the following transformation: a reflection across the x -axis.

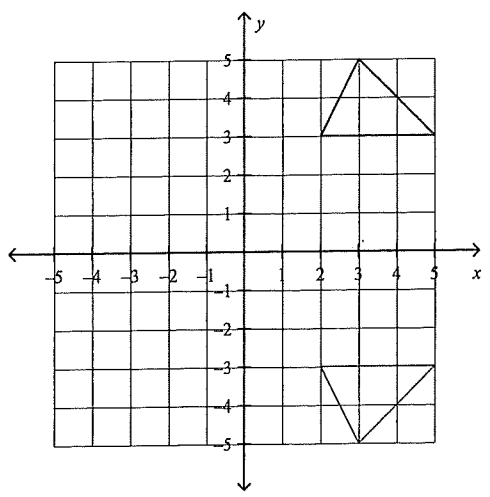
a.



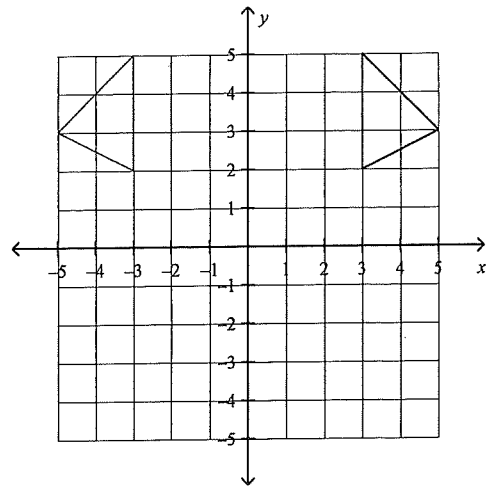
c.



b.



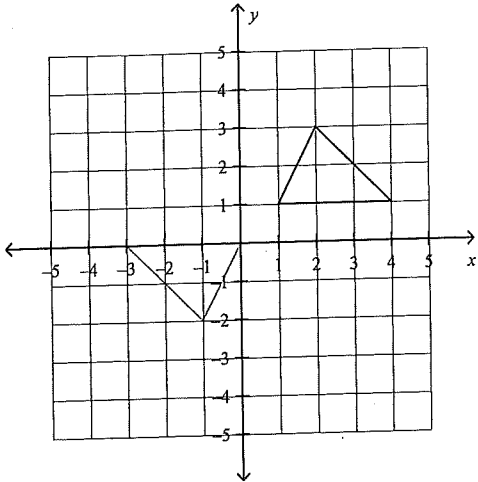
d.



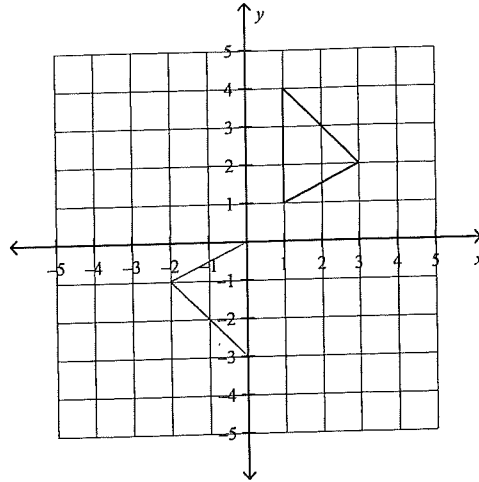
Name: _____

18. Draw the image of a triangle with vertices $(1, 1)$, $(2, 3)$, and $(4, 1)$. Then perform the following transformation: a 180° rotation about the origin.

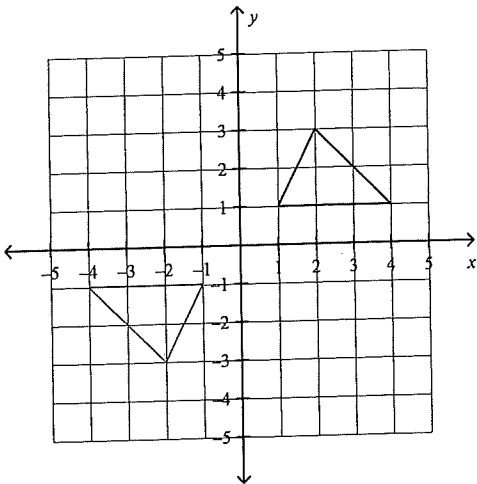
a.



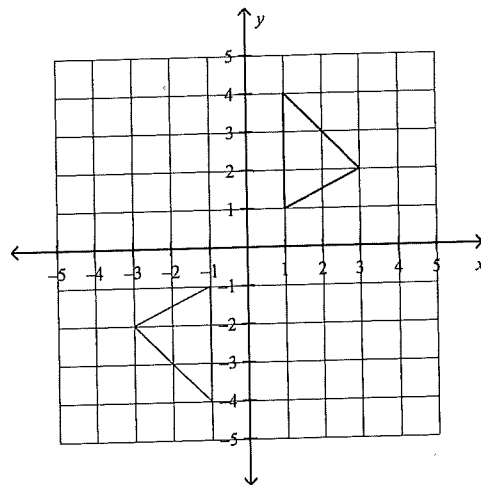
c.



b.



d.

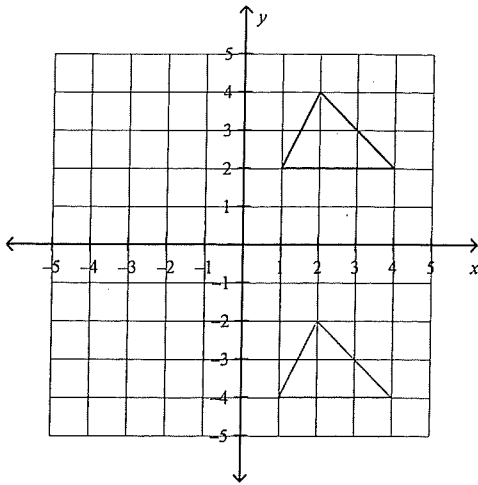


Name: _____

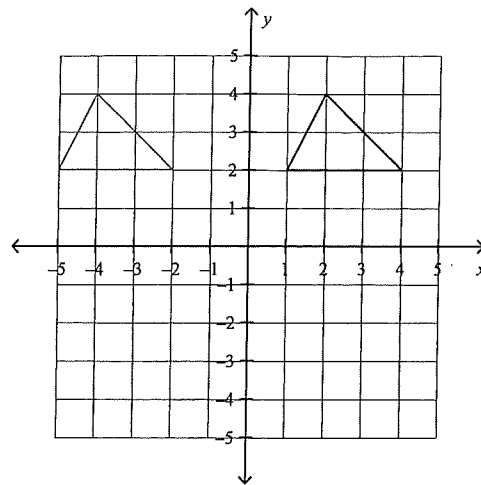
ID: A

19. Draw the image of a triangle with vertices $(1, 2)$, $(2, 4)$, and $(4, 2)$. Then perform the following transformation: translate 6 units down.

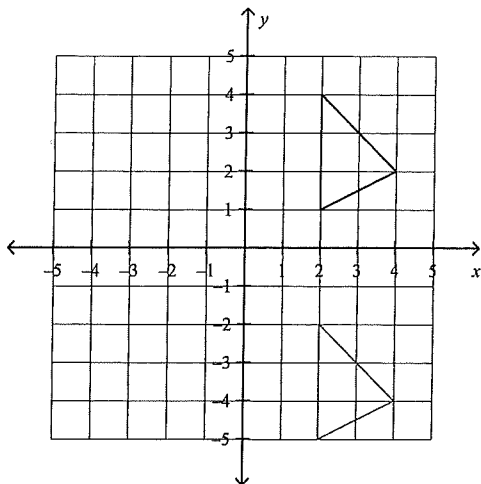
a.



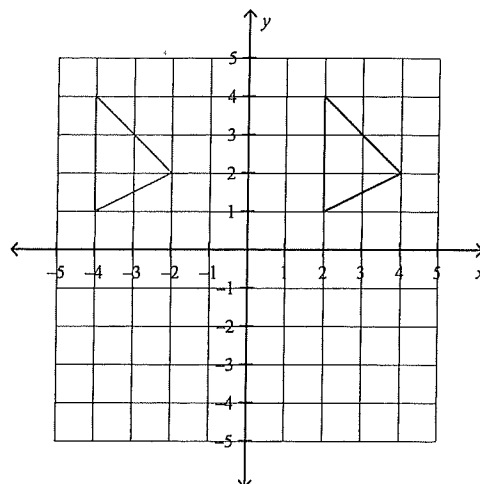
c.



b.



d.

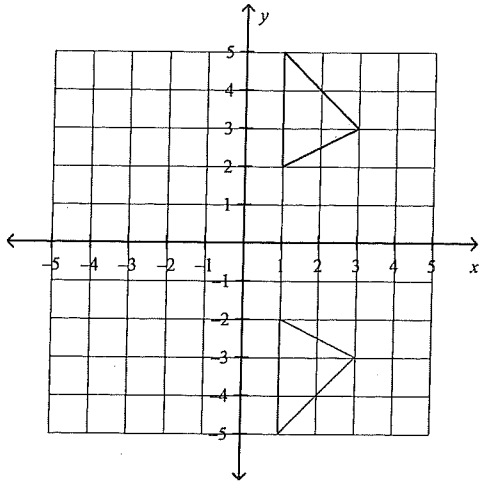


Name: _____

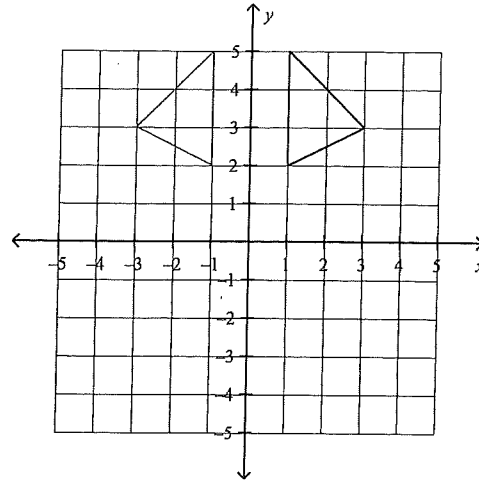
ID: A

20. Draw the image of a triangle with vertices $(2, 1)$, $(3, 3)$, and $(5, 1)$. Then perform the following transformation: a reflection across the x-axis.

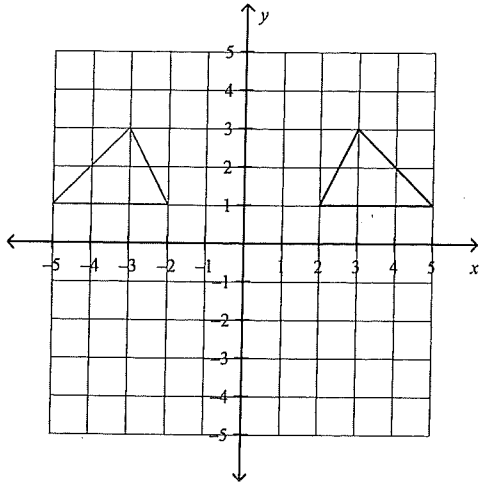
a.



c.



b.



d.

